

UZCA

MUFFINS

The timeless Muffins collection represents an extraordinary lighting experience. Since its market debut, it has taken on an iconic status and become a symbol of the Brokis brand. The sublimity of the design lies in the masterful combination of delicately contoured glass and solid wood. The lights, featuring a billowing glass shade set in a handcrafted wood base together with a naked filament bulb, breathe new life into any space and elicit a festive ambience. The collection offers multiple shape and size variants as well as a broad palette of glass colours and woods.

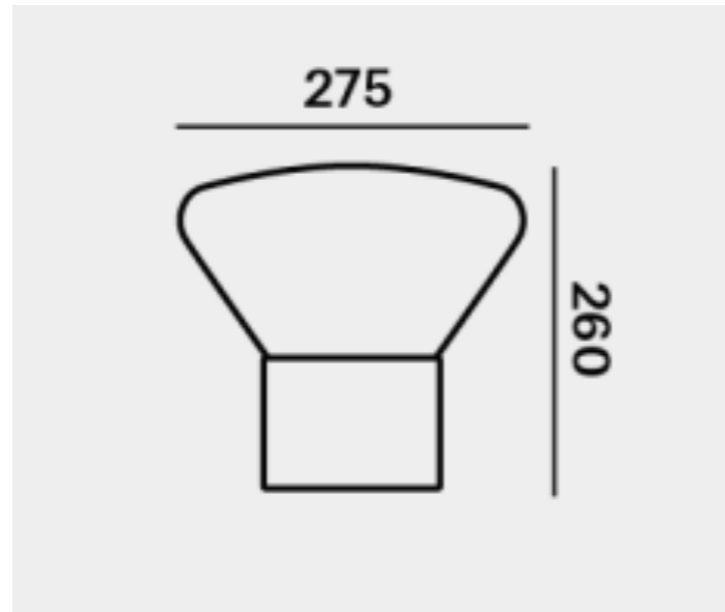
Design: Lucie Koldova, Dan Yeffet



PRODUCT TYPES

NAME

MUFFINS MINI WOOD 06 D275 H260



TECHNOLOGY:

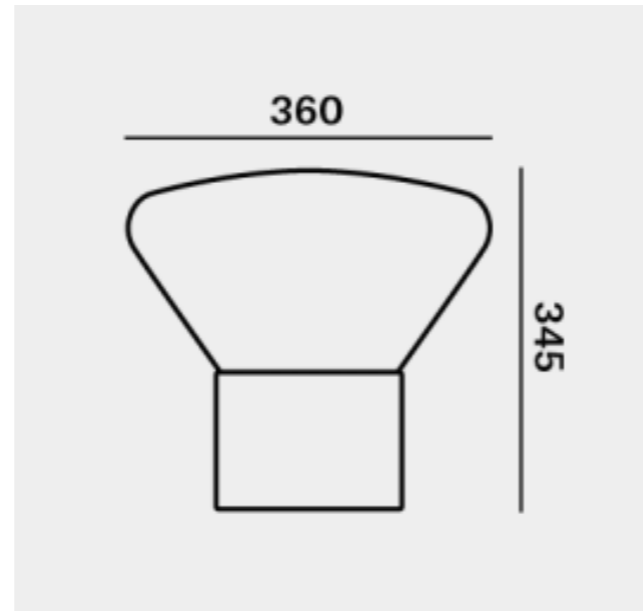
THE CRAFTSMANSHIP APPLIED IN PRODUCTION FOLLOWS IN THE CENTURIES-OLD TRADITION AND EXPERIENCE OF MASTER GLASSMAKERS. THE PRECISION CRAFTING OF HAND-BLOWN GLASS INSTILLS DISTINCTIVE, ENDURING CHARACTER AND OUTSTANDING QUALITY IN ALL BROKIS PRODUCTS. THE GLASS SHADES ARE FORMED FROM MULTIPLE LAYERS OF MOLTEN GLASS, EACH OF WHICH IS SCRUTINIZED BY THE MASTER GLASSMAKER PRIOR TO BEING BLOWN INTO THE MOLD. UP TO 70% OF THE RESULTING QUALITY IS ACHIEVED IN THIS STAGE OF PRODUCTION. NO LESS ATTENTION TO DETAIL IS PAID IN HANDCRAFTING THE WOODEN ELEMENTS OF THE LIGHT. EACH PIECE IS INDIVIDUALLY PROCESSED BY THE ARTISAN IN A SERIES OF STRICTLY OBSERVED PRODUCTION STAGES. WE TAKE SPECIAL CARE IN SELECTING QUALITY FINE WOOD AND ECOLOGICALLY FRIENDLY MATERIALS TO TREAT IT WITH.

FEATURES:

THE TIMELESS MUFFINS COLLECTION REPRESENTS AN EXTRAORDINARY LIGHTING EXPERIENCE. SINCE ITS MARKET DEBUT, IT HAS TAKEN ON AN ICONIC STATUS AND BECOME A SYMBOL OF THE BROKIS BRAND. THE SUBLIMITY OF THE DESIGN LIES IN THE MASTERFUL COMBINATION OF DELICATELY CONTOURED GLASS AND SOLID WOOD. THE LIGHTS, FEATURING A BILLOWING GLASS SHADE SET IN A HANDCRAFTED WOOD BASE TOGETHER WITH A NAKED FILAMENT BULB, BREATHE NEW LIFE INTO ANY SPACE AND ELICIT A FESTIVE AMBIENCE. THE COLLECTION OFFERS MULTIPLE SHAPE AND SIZE VARIANTS AS WELL AS A BROAD PALETTE OF GLASS COLOURS AND WOODS

NAME

MUFFINS WOOD 01 D360 H345



FEATURES:

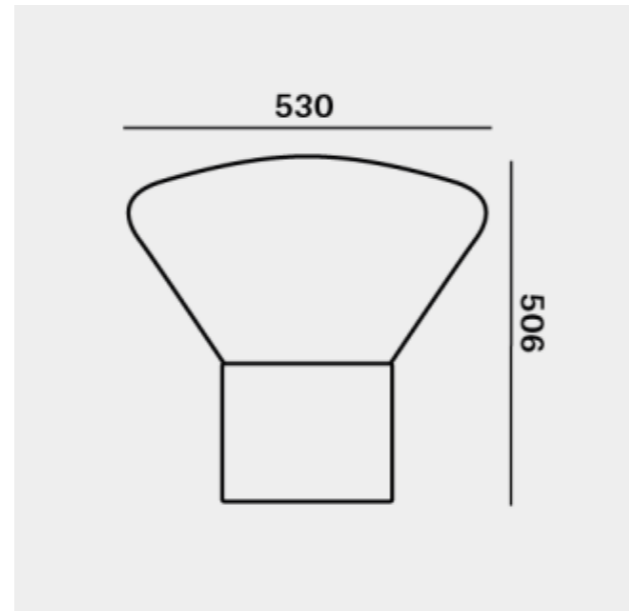
THE TIMELESS MUFFINS COLLECTION REPRESENTS AN EXTRAORDINARY LIGHTING EXPERIENCE. SINCE ITS MARKET DEBUT, IT HAS TAKEN ON AN ICONIC STATUS AND BECOME A SYMBOL OF THE BROKIS BRAND. THE SUBLIMITY OF THE DESIGN LIES IN THE MASTERFUL COMBINATION OF DELICATELY CONTOURED GLASS AND SOLID WOOD. THE LIGHTS, FEATURING A BILLOWING GLASS SHADE SET IN A HANDCRAFTED WOOD BASE TOGETHER WITH A NAKED FILAMENT BULB, BREATHE NEW LIFE INTO ANY SPACE AND ELICIT A FESTIVE AMBIENCE. THE COLLECTION OFFERS MULTIPLE SHAPE AND SIZE VARIANTS AS WELL AS A BROAD PALETTE OF GLASS COLOURS AND WOODS.

TECHNOLOGY :

THE CRAFTSMANSHIP APPLIED IN PRODUCTION FOLLOWS IN THE CENTURIES-OLD TRADITION AND EXPERIENCE OF MASTER GLASSMAKERS. THE PRECISION CRAFTING OF HAND-BLOWN GLASS INSTILLS DISTINCTIVE, ENDURING CHARACTER AND OUTSTANDING QUALITY IN ALL BROKIS PRODUCTS. THE GLASS SHADES ARE FORMED FROM MULTIPLE LAYERS OF MOLTEN GLASS, EACH OF WHICH IS SCRUTINIZED BY THE MASTER GLASSMAKER PRIOR TO BEING BLOWN INTO THE MOLD. UP TO 70% OF THE RESULTING QUALITY IS ACHIEVED IN THIS STAGE OF PRODUCTION. NO LESS ATTENTION TO DETAIL IS PAID IN HANDCRAFTING THE WOODEN ELEMENTS OF THE LIGHT. EACH PIECE IS INDIVIDUALLY PROCESSED BY THE ARTISAN IN A SERIES OF STRICTLY OBSERVED PRODUCTION STAGES. WE TAKE SPECIAL CARE IN SELECTING QUALITY FINE WOOD AND ECOLOGICALLY FRIENDLY MATERIALS TO TREAT IT WITH.

NAME

MUFFINS WOOD 02 D530 H506



FEATURES

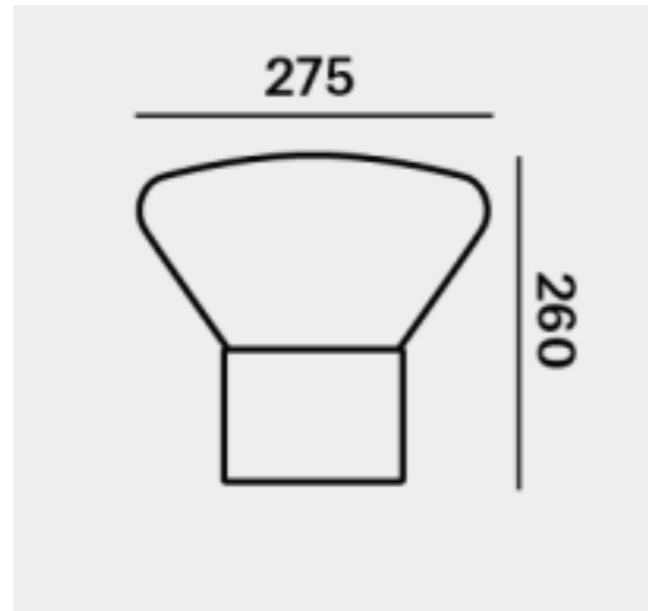
THE TIMELESS MUFFINS COLLECTION REPRESENTS AN EXTRAORDINARY LIGHTING EXPERIENCE. SINCE ITS MARKET DEBUT, IT HAS TAKEN ON AN ICONIC STATUS AND BECOME A SYMBOL OF THE BROKIS BRAND. THE SUBLIMITY OF THE DESIGN LIES IN THE MASTERFUL COMBINATION OF DELICATELY CONTOURED GLASS AND SOLID WOOD. THE LIGHTS, FEATURING A BILLOWING GLASS SHADE SET IN A HANDCRAFTED WOOD BASE TOGETHER WITH A NAKED FILAMENT BULB, BREATHE NEW LIFE INTO ANY SPACE AND ELICIT A FESTIVE AMBIENCE. THE COLLECTION OFFERS MULTIPLE SHAPE AND SIZE VARIANTS AS WELL AS A BROAD PALETTE OF GLASS COLOURS AND WOODS.

TECHNOLOGY

THE CRAFTSMANSHIP APPLIED IN PRODUCTION FOLLOWS IN THE CENTURIES-OLD TRADITION AND EXPERIENCE OF MASTER GLASSMAKERS. THE PRECISION CRAFTING OF HAND-BLOWN GLASS INSTILLS DISTINCTIVE, ENDURING CHARACTER AND OUTSTANDING QUALITY IN ALL BROKIS PRODUCTS. THE GLASS SHADES ARE FORMED FROM MULTIPLE LAYERS OF MOLTEN GLASS, EACH OF WHICH IS SCRUTINIZED BY THE MASTER GLASSMAKER PRIOR TO BEING BLOWN INTO THE MOLD. UP TO 70% OF THE RESULTING QUALITY IS ACHIEVED IN THIS STAGE OF PRODUCTION. NO LESS ATTENTION TO DETAIL IS PAID IN HANDCRAFTING THE WOODEN ELEMENTS OF THE LIGHT. EACH PIECE IS INDIVIDUALLY PROCESSED BY THE ARTISAN IN A SERIES OF STRICTLY OBSERVED PRODUCTION STAGES. WE TAKE SPECIAL CARE IN SELECTING QUALITY FINE WOOD AND ECOLOGICALLY FRIENDLY MATERIALS TO TREAT IT WITH.

NAME

MUFFINS MINI WOOD 06 D275 H260



TECHNOLOGY

THE CRAFTSMANSHIP APPLIED IN PRODUCTION FOLLOWS IN THE CENTURIES-OLD TRADITION AND EXPERIENCE OF MASTER GLASSMAKERS. THE PRECISION CRAFTING OF HAND-BLOWN GLASS INSTILLS DISTINCTIVE, ENDURING CHARACTER AND OUTSTANDING QUALITY IN ALL BROKIS PRODUCTS. THE GLASS SHADES ARE FORMED FROM MULTIPLE LAYERS OF MOLTEN GLASS, EACH OF WHICH IS SCRUTINIZED BY THE MASTER GLASSMAKER PRIOR TO BEING BLOWN INTO THE MOLD. UP TO 70% OF THE RESULTING QUALITY IS ACHIEVED IN THIS STAGE OF PRODUCTION. NO LESS ATTENTION TO DETAIL IS PAID IN HANDCRAFTING THE WOODEN ELEMENTS OF THE LIGHT. EACH PIECE IS INDIVIDUALLY PROCESSED BY THE ARTISAN IN A SERIES OF STRICTLY OBSERVED PRODUCTION STAGES. WE TAKE SPECIAL CARE IN SELECTING QUALITY FINE WOOD AND ECOLOGICALLY FRIENDLY MATERIALS TO TREAT IT WITH.

FEATURES

THE TIMELESS MUFFINS COLLECTION REPRESENTS AN EXTRAORDINARY LIGHTING EXPERIENCE. SINCE ITS MARKET DEBUT, IT HAS TAKEN ON AN ICONIC STATUS AND BECOME A SYMBOL OF THE BROKIS BRAND. THE SUBLIMITY OF THE DESIGN LIES IN THE MASTERFUL COMBINATION OF DELICATELY CONTOURED GLASS AND SOLID WOOD. THE LIGHTS, FEATURING A BILLOWING GLASS SHADE SET IN A HANDCRAFTED WOOD BASE TOGETHER WITH A NAKED FILAMENT BULB, BREATHE NEW LIFE INTO ANY SPACE AND ELICIT A FESTIVE AMBIENCE. THE COLLECTION OFFERS MULTIPLE SHAPE AND SIZE VARIANTS AS WELL AS A BROAD PALETTE OF GLASS COLOURS AND WOODS

UZCA